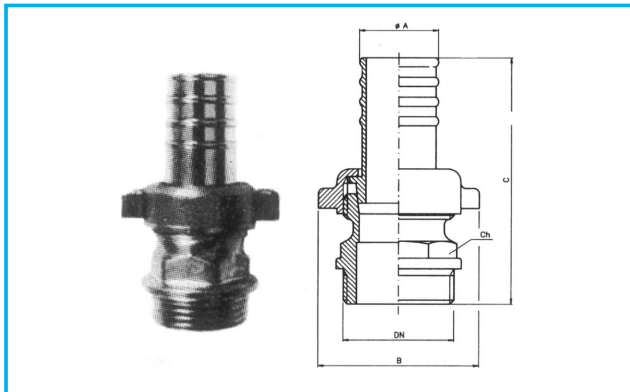


## 10.9 - RACCORDI PORTAGOMMA IN OTTONE

### RACCORDO DIRITTO SEDE CONICA TRE PEZZI

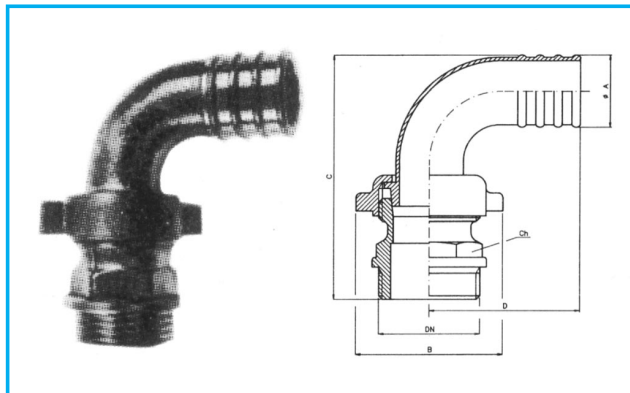
Cod.: RE 166 ...<sup>1)</sup>



DN <sup>1)</sup> (inch)	Ø A (mm)	B (mm)	C (mm)	Ch (mm)	Peso (g)
3/8"	15	32	56	20	63
1/2"	15	36	57	22	64
1/2"	18	36	65	26	100
1/2"	20	36	64	26	103
3/4"	18	44	65	28	112
3/4"	20	44	65	28	115
3/4"	25	44	77	26	153
1"	25	52	83	30	176
1"	30	52	94	33	306
1"	32	52	95	33	282
1 1/4"	30	66	96	40	318
1 1/4"	32	66	98	40	294
1 1/4"	35	66	104	40	398
1 1/4"	40	66	111	40	470
1 1/2"	40	74	110	43	480
1 1/2"	45	74	120	54	372
1 1/2"	50	74	126	54	755
2"	50	88	126	56	740
2"	60	88	140	69	1100
2 1/2"	60	110	134	80	1045
2 1/2"	70	110	152	84	1465
3"	80	134	154	98	1750
4"	100	165	170	122	2740

### RACCORDO CURVO SEDE CONICA TRE PEZZI

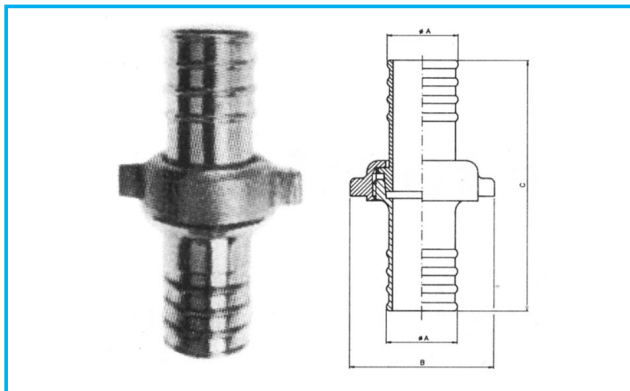
Cod.: RE 168 ...<sup>1)</sup>



DN <sup>1)</sup> (inch)	Ø A (mm)	B (mm)	C (mm)	D (mm)	Ch (mm)	Peso (g)
3/8"	15	32	60	39	20	82
1/2"	15	36	60	39	22	83
1/2"	18	36	66	39	26	141
1/2"	20	36	72	39	26	150
3/4"	18	44	68	49	28	153
3/4"	20	44	73	50	28	160
3/4"	25	44	82	50	26	212
1"	25	52	86	51	30	235
1"	30	52	101	51	33	380
1 1/4"	30	66	99	62	40	392
1 1/4"	35	66	112	62	40	508
1 1/4"	40	66	121	62	40	640
1 1/2"	40	74	120	65	43	650
1 1/2"	45	74	127	65	54	880
1 1/2"	50	74	149	65	54	1110
2"	50	88	145	90	56	1090
2"	60	88	160	90	69	1575
2 1/2"	60	110	157	102	80	1520

### RACCORDO PORTAGOMMA SEDE CONICA TRE PEZZI

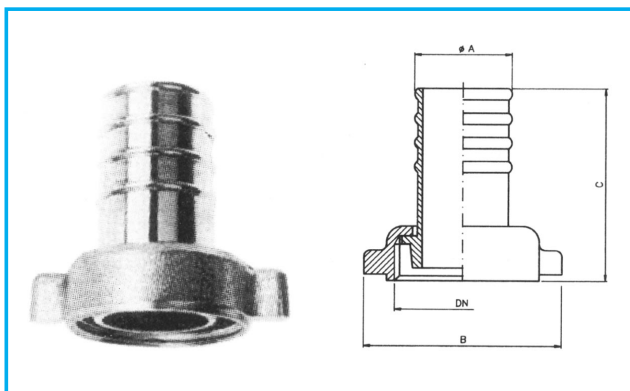
Cod.: RE 164 ...<sup>1)</sup>



Ø A <sup>1)</sup> (mm)	B (mm)	C (mm)	Peso (g)
15	36	65	60
18	44	72	86
20	44	72	92
25	52	88	138
30	66	105	250
35	74	117	374
40	80	122	424
45	88	133	550
50	98	144	718
60	110	170	1040

## CODOLO A GIRELLO SEDE CONICA PER RACCORDI

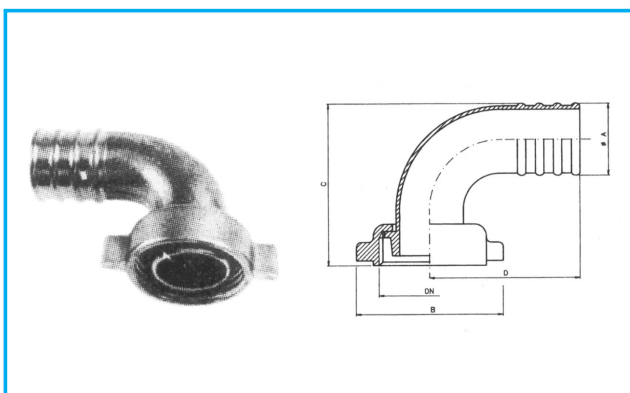
Cod.: RE 1645 ...<sup>1)</sup>



DN <sup>1)</sup> (inch)	Ø A (mm)	B (mm)	C (mm)	Peso (g)
1/2"	15	36	34	36
3/4"	18	44	38	54
3/4"	20	44	39	57
1"	25	52	46	84
1 1/4"	30	66	56	166
1 1/4"	32	66	56	142
1 1/2"	35	74	63	210
1 3/4"	40	80	67	241
2"	45	88	74	322
2 1/4"	50	98	78	400
2 1/2"	60	110	90	605
2 3/4"	70	120	102	860
3 1/4"	80	134	103	1035
4"	100	165	116	1650

## CURVA A GIRELLO SEDE CONICA PER RACCORDI

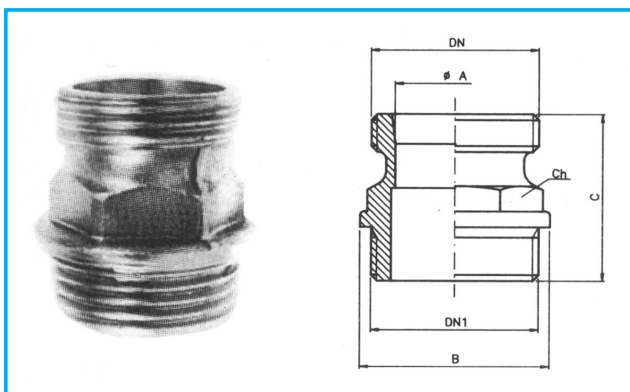
Cod.: RE 163 ...<sup>1)</sup>



DN <sup>1)</sup> (inch)	Ø A (mm)	B (mm)	C (mm)	D (mm)	Peso (g)
1/2"	15	36	18	39	55
3/4"	18	44	23	49	95
3/4"	20	44	24	50	103
1"	25	52	30	51	143
1 1/4"	30	66	37	62	240
1 1/2"	35	74	42	65	320
1 3/4"	40	80	48	80	411
2"	45	88	54	90	530
2 1/4"	50	98	60	104	750
2 1/2"	60	110	70	102	1080

## VITONE SEDE CONICA PER RACCORDI

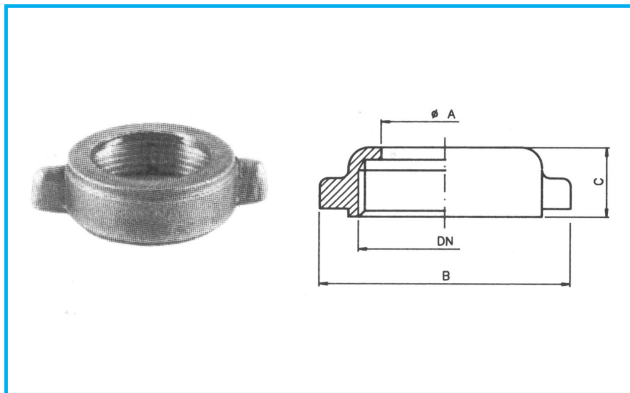
Cod.: RE 162 ...<sup>1)</sup>



DN <sup>1)</sup> (inch)	DN1 (inch)	Ø A (mm)	B (mm)	C (mm)	Ch (mm)	Peso (g)
3/8"	1/2"	15	*	26	20	27
1/2"	1/2"	15	*	26	22	28
1/2"	3/4"	18	*	30	26	46
1/2"	3/4"	20	*	30	26	46
3/4"	3/4"	18	*	30	28	58
3/4"	3/4"	20	*	30	28	58
3/4"	1"	25	32	34	26	69
1"	1"	25	39	39	30	92
1"	1 1/4"	30	40	43	33	140
1 1/4"	1 1/4"	30	47	43	40	152
1 1/4"	1 1/2"	35	48	48	40	188
1 1/4"	1 3/4"	40	48	49	40	229
1 1/2"	1 3/4"	40	54	48	43	240
1 1/2"	2"	45	*	53	54	350
1 1/2"	2 1/4"	50	*	55	54	360
2"	2 1/4"	50	67	52	56	340
2"	2 1/2"	60	*	58	69	495
2 1/2"	2 1/2"	60	*	53	80	440
2 1/2"	2 3/4"	70	*	61	84	595
3"	3 1/4"	80	*	62	98	715
4"	4"	100	*	68	122	1090

## GIRELLO PER RACCORDO SEDE CONICA

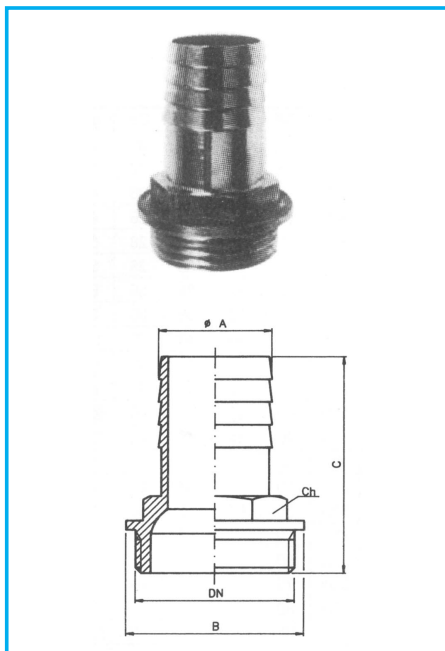
Cod.: RE 6855 ...<sup>1)</sup>



DN <sup>1)</sup> (inch)	Ø A (mm)	B (mm)	C (mm)	Peso (g)
1/2"	24	36	11	18
3/4"	30	44	12	27
1"	37	52	14	38
1 1/4"	47	66	17	72
1 1/2"	43	74	18	95
1 3/4"	48	80	20	96
2"	54	88	21	130
2 1/4"	71	98	21	160
2 1/2"	82	110	24	255
2 3/4"	89	120	25	300
3 1/4"	101	134	28	400
4"	122	165	30	590

## RACCORDO 1 PEZZO MASCHIO

Cod.: RE 523 ...<sup>1)</sup>



DN <sup>1)</sup> (inch)	Ø A (mm)	B (mm)	C (mm)	Ch (mm)	Peso (g)
1/8"	6	*	31	12	7
1/8"	8	*	32	11	9
1/8"	10	*	32	12	12
1/4"	6	*	33	15	10
1/4"	8	*	33	15	12
1/4"	10	*	33	15	13
1/4"	13	*	33	15	17
1/4"	15	*	37	17	19
3/8"	10	*	35	18	18
3/8"	12	*	36	18	22
3/8"	13	*	37	18	20
3/8"	15	*	40	18	25
1/2"	10	*	39	22	26
1/2"	13	*	40	22	28
1/2"	15	*	41	22	34
1/2"	16	*	42	22	34
1/2"	18	*	43	22	38
1/2"	20	*	44	22	34
3/4"	13	30	46	23	43
3/4"	15	30	47	23	45
3/4"	16	30	49	22	50
3/4"	18	30	48	22	48
3/4"	20	30	49	22	52
3/4"	22	30	49	24	54
3/4"	25	32	52	28	75
1"	20	37	49	26	72
1"	22	37	49	27	65
1"	25	39	55	30	88
1"	27	39	56	30	85
1"	30	39	56	32	100
1"	32	39	55	34	100
1 1/4"	30	46	60	35	118
1 1/4"	32	46	60	35	114
1 1/4"	35	47	60	38	130
1 1/4"	39	48	67	42	160
1 1/4"	40	48	67	42	170
1 1/2"	38	54	65	45	168
1 1/2"	40	54	67	45	185
1 1/2"	45	54	75	48	230
1 1/2"	50	58	70	52	295
2"	50	64	72	56	285
2"	60	68	84	62	460
2 1/2"	60	81	95	69	465
2 1/2"	70	86	101	78	560
3"	70	96	97	82	765
3"	80	95	103	85	730
4"	100	122	123	106	1150