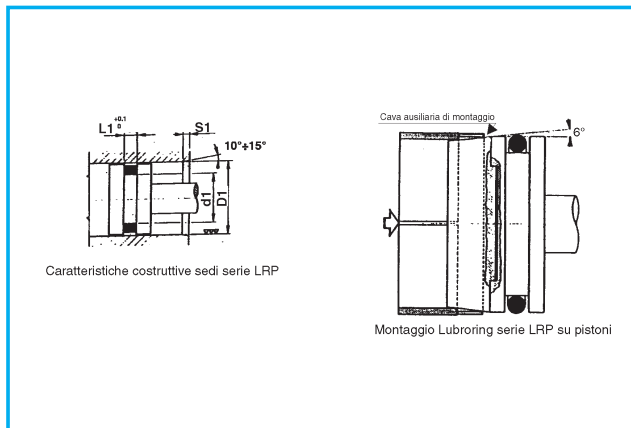


4.6 - GUARNIZIONI LRP - LRC

GUARNIZIONI SERIE "LRP"

Cod.: **O ...¹⁾**

es. di ordinazione: **O LRP 2015/8**



GUARNIZIONI SERIE "LRC"

Cod.: **O ...¹⁾**

es. di ordinazione: **O LRC 106/5**

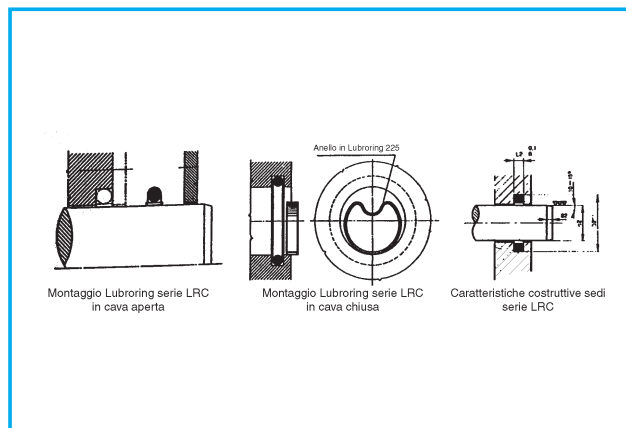


Tabella dimensionale serie LRP

Rif. LRP ¹⁾	D1	d1		L1	S1
		Idraulica	Pneumatica		
LRP 2015/8	8	3.4	3.2	2	3
LRP 2018/9	9	4.4	4.2	2	3
LRP 2021/10	10	5.5	5.3	2	3
LRP 2025/11	11	6.5	6.3	2	3
LRP 2031/12	12	7.4	7.2	2	3
LRP 2037/14	14	9.5	9.3	2	3
LRP 2043/15	15	10.4	10.2	2	3
LRP 112/16	16	9.8	9.5	3	3.5
LRP 3043/17	17	10.8	10.5	3	3.5
LRP 115/18	18	11.8	11.5	3	3.5
LRP 3056/20	20	13.8	13.5	3	3.5
LRP 3062/22	22	15.8	15.5	3	3.5
LRP 3075/25	25	18.8	18.5	3	3.5
LRP 4081/28	28	20	19.6	4	4.5
LRP 4087/30	30	22	21.6	4	4.5
LRP 4093/32	32	24	23.6	4	4.5
LRP 4106/35	35	27	26.6	4	4.5
LRP 4112/36	36	28	27.6	4	4.5
LRP 4118/38	38	30	29.6	4	4.5
LRP 4125/40	40	32	31.6	4	4.5
LRP 4131/42	42	34	33.6	4	4.5
LRP 4143/45	45	37	36.6	4	4.5
LRP 144/48	48	40	39.6	4	4.5
LRP 6150/50	50	38.3	37.8	6	6
LRP 6162/55	55	43.5	43.0	6	6
LRP 6175/56	56	44.3	43.8	6	6
LRP 6187/60	60	48.3	47.8	6	6
LRP 6200/63	63	51.3	50.8	6	6
LRP 6212/65	65	53.3	52.8	6	6
LRP 6225/70	70	58.4	57.9	6	6
LRP 6250/75	75	62.9	62.4	6	6
LRP 6262/80	80	68	67.5	6	6
LRP 6287/85	85	72.9	72.4	6	6
LRP 6300/90	90	78	77.5	6	6
LRP 6325/95	95	82.9	82.4	6	6
LRP 6337/100	100	88	87.5	6	6
LRP 6387/110	110	97.9	97.4	6	6
LRP 6425/120	120	107.9	107.4	6	6
LRP 6437/125	125	112.5	112.0	6	6
LRP 199/130	130	117.5	117.0	6	6
LRP 8487/140	140	124.5	123.9	8	8
LRP 8525/150	150	134.5	133.9	8	8
LRP 8562/160	160	144.5	143.9	8	8
LRP 8600/170	170	153.7	153.1	8	8
LRP 226/180	180	163.7	163.1	8	8
LRP 8675/190	190	173.7	173.1	8	8
LRP 8725/200	200	183.7	183.1	8	8
LRP 8925/250	250	233.7	233.1	8	8
LRP 81025/280	280	263.7	263.1	8	8
LRP 81100/300	300	283.7	283.1	8	8

Tabella dimensionale serie LRC

Rif. LRC ¹⁾	d2	D2		L2	S2
		Idraulica	Pneumatica		
LRC 106/5	5	9.5	9.7	2	3
LRC 2031/6	6	10.5	10.7	2	3
LRC 2037/8	8	12.5	12.7	2	3
LRC 115/10	10	16.2	16.5	3	3.5
LRC 3056/12	12	18.2	18.5	3	3.5
LRC 3062/14	14	20.2	20.5	3	3.5
LRC 121/15	15	21.1	21.4	3	3.5
LRC 123/16	16	22.2	22.5	3	3.5
LRC 3075/18	18	24.1	24.4	3	3.5
LRC 3087/20	20	26.2	26.5	3	3.5
LRC 3093/22	22	28.2	28.5	3	3.5
LRC 3106/25	25	31.2	31.5	3	3.5
LRC 4118/28	28	36	36.4	4	4.5
LRC 4125/30	30	38	38.4	4	4.5
LRC 4131/32	32	39.9	40.3	4	4.5
LRC 4143/35	35	42.9	43.3	4	4.5
LRC 144/38	38	46	46.4	4	4.5
LRC 146/40	40	48	48.4	4	4.5
LRC 4175/42	42	50	50.4	4	4.5
LRC 4187/45	45	53	53.4	4	4.5
LRC 6200/50	50	61.6	62.1	6	6
LRC 6225/55	55	66.7	67.2	6	6
LRC 6250/60	60	71.7	72.2	6	6
LRC 6262/65	65	76.6	77.1	6	6
LRC 6287/70	70	81.7	82.2	6	6
LRC 6312/75	75	87.1	87.6	6	6
LRC 6325/80	80	92.1	92.6	6	6
LRC 6350/85	85	97.1	97.6	6	6
LRC 6362/90	90	102.1	102.6	6	6
LRC 6387/95	95	107.1	107.6	6	6
LRC 6400/100	100	112.1	112.6	6	6
LRC 6437/110	110	122	122.5	6	6
LRC 8487/120	120	135.5	136.1	8	8
LRC 8500/125	125	140.5	141.1	8	8
LRC 8525/130	130	145.5	146.1	8	8
LRC 8562/140	140	155.5	156.1	8	8
LRC 8600/150	150	165.5	166.1	8	8
LRC 8650/160	160	175.5	176.1	8	8
LRC 231/170	170	186.3	186.9	8	8
LRC 8725/180	180	196.3	196.9	8	8
LRC 237/190	190	206.3	206.9	8	8
LRC 8800/200	200	216.3	216.9	8	8
LRC 81000/250	250	266.3	266.9	8	8
LRC 81125/280	280	296.3	296.9	8	8
LRC 81200/300	300	316.3	316.9	8	8

GUARNIZIONI SERIE "RP"

Cod.: O ...¹⁾

es. di ordinazione: **O RP 2007/6**

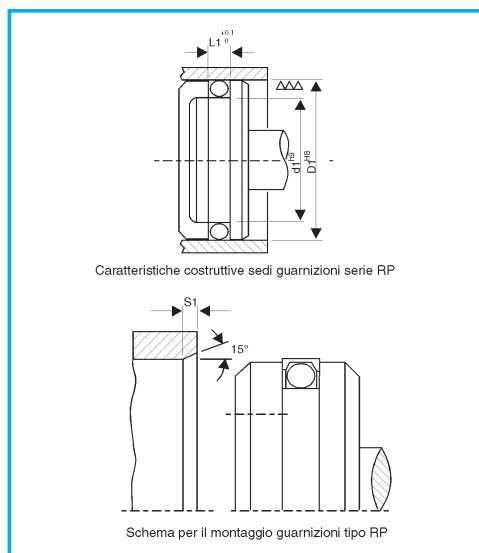


Tabella dimensionale serie RP

Rif. ¹⁾	D1	d1	L1	S1
RP 2007/6	6	2.8	2.5	2
RP 2012/7	7	3.7	2.5	2
RP 2018/8	8	4.7	2.5	2
RP 2021/9	9	5.7	2.5	2
RP 2025/10	10	6.8	2.5	2
RP 2031/11	11	7.6	2.5	2
RP 2037/13	13	9.7	2.5	2
RP 3037/15	15	10.1	3.5	2.5
RP 3043/16	16	10.9	3.5	2.5
RP 3050/18	18	13.1	3.5	2.5
RP 3056/20	20	14.7	3.5	2.5
RP 3062/21	21	15.9	3.5	2.5
RP 3068/22	22	16.6	3.5	2.5
RP 3075/25	25	19.8	3.5	2.5
RP 4075/26	26	19.1	4.5	3
RP 4081/28	28	21.2	4.5	3
RP 4087/29	29	22	4.5	3
RP 4093/30	30	22.9	4.5	3
RP 4100/32	32	25	4.5	3
RP 4106/34	34	27	4.5	3
RP 4112/35	35	28	4.5	3
RP 4118/37	37	30	4.5	3
RP 4125/38	38	30.9	4.5	3
RP 4131/40	40	32.9	4.5	3
RP 4137/42	42	35	4.5	3
RP 4143/43	43	35.9	4.5	3
RP 4150/45	45	37.9	4.5	3
RP 6150/50	50	39.6	7	4
RP 6162/52	52	41.8	7	4
RP 6175/55	55	44.7	7	4
RP 6187/58	58	47.7	7	4
RP 6200/61	61	50.5	7	4
RP 6212/65	65	54.7	7	4
RP 6225/68	68	57.7	7	4
RP 6237/70	70	59.5	7	4
RP 6250/75	75	64.5	7	4
RP 6262/77	77	66.6	7	4
RP 6275/80	80	69.6	7	4
RP 6287/85	85	74.5	7	4
RP 6300/86	86	75.5	7	4
RP 6312/90	90	79.5	7	4
RP 6325/92	92	81.5	7	4
RP 6337/95	95	84.5	7	4
RP 6350/100	100	89.6	7	4
RP 6362/102	102	91.5	7	4
RP 6375/105	105	94.5	7	4
RP 6387/108	108	97.5	7	4
RP 6400/111	111	100.6	7	4
RP 6412/115	115	104.5	7	4
RP 6425/118	118	107.5	7	4

RP 6437/121	121	110.5	7	4
RP 6450/125	125	114.5	7	4
RP 8450/127	127	113.3	9.5	5
RP 8462/130	130	116.3	9.5	5
RP 8475/135	135	121.3	9.5	5
RP 8487/137	137	123.3	9.5	5
RP 8500/140	140	126.3	9.5	5
RP 8512/143	143	129.3	9.5	5
RP 8525/146	146	132.3	9.5	5
RP 8537/150	150	136.3	9.5	5
RP 8550/153	153	139.3	9.5	5
RP 8562/156	156	142.3	9.5	5
RP 8575/160	160	146.3	9.5	5
RP 8587/162	162	148.3	9.5	5
RP 8600/165	165	151.3	9.5	5
RP 8625/172	172	158.3	9.5	5
RP 8650/178	178	164.3	9.5	5
RP 8675/184	184	170.3	9.5	5
RP 8700/191	191	177.3	9.5	5
RP 8725/197	197	183.3	9.5	5
RP 8750/203	203	189.3	9.5	5
RP 8775/210	210	196.3	9.5	5
RP 8800/216	216	202.3	9.5	5
RP 8825/222	222	208.3	9.5	5
RP 8850/230	230	216.3	9.5	5
RP 8875/235	235	221.3	9.5	5
RP 8900/242	242	228.3	9.5	5
RP 8925/250	250	236.3	9.5	5
RP 8950/255	255	241.3	9.5	5
RP 8975/260	260	246.3	9.5	5
RP 81000/270	270	256.3	9.5	5
RP 81025/275	275	261.3	9.5	5
RP 81050/280	280	266.3	9.5	5
RP 81075/286	286	272.3	9.5	5
RP 81100/295	295	281.3	9.5	5
RP 81125/300	300	286.3	9.5	5
RP 81150/305	305	291.3	9.5	5
RP 81175/315	315	301.3	9.5	5
RP 81200/320	320	306.3	9.5	5
RP 81250/330	330	316.3	9.5	5
RP 81300/345	345	331.3	9.5	5
RP 81350/355	355	341.3	9.5	5
RP 81400/370	270	356.3	9.5	5
RP 81450/382	380	366.3	9.5	5
RP 81500/395	395	381.3	9.5	5
RP 81550/410	410	396.3	9.5	5

GUARNIZIONI SERIE "RC"

Cod.: O ...¹⁾

es. di ordinazione: O RC 2015/3

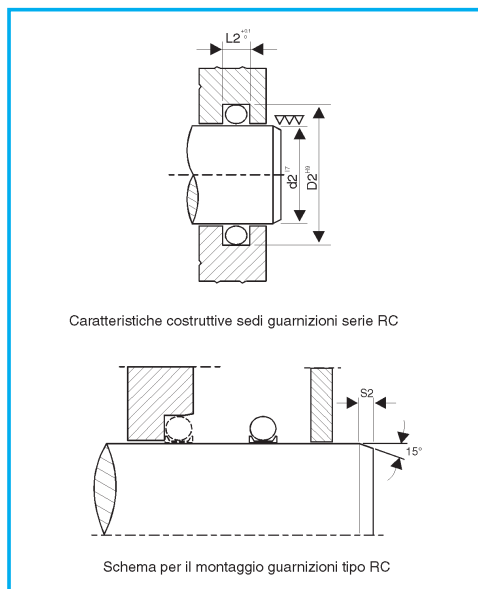


Tabella dimensionale serie RC

Rif. ¹⁾	d2	D2	L2	S2
RC 2015/3	3	6.5	2.5	2
RC 2018/4	4	7.5	2.5	2
RC 2021/5	5	8.5	2.5	2
RC 2025/6	6	9.5	2.5	2
RC 2031/8	8	11.5	2.5	2
RC 2037/10	10	13.5	2.5	2
RC 3037/9	9	14.5	3.5	2.5
RC 3043/11	11	16.5	3.5	2.5
RC 3050/12	12	17.5	3.5	2.5
RC 3056/14	14	19.5	3.5	2.5
RC 3062/15	15	20.5	3.5	2.5
RC 3068/17	17	22.5	3.5	2.5
RC 4075/19	19	26.1	4.5	3
RC 4081/20	20	27.1	4.5	3
RC 4087/22	22	29.1	4.5	3
RC 4093/23	23	30.1	4.5	3
RC 4100/25	25	32.1	4.5	3
RC 4106/27	27	34.1	4.5	3
RC 4112/28	28	35.1	4.5	3
RC 4118/30	30	37.1	4.5	3
RC 4125/31	31	38.1	4.5	3
RC 4131/33	33	40.1	4.5	3
RC 4137/35	35	42.1	4.5	3
RC 4143/36	36	43.1	4.5	3
RC 6150/38	38	48.4	7	4
RC 6162/40	40	50.4	7	4
RC 6175/45	45	55.4	7	4
RC 6187/47	47	57.4	7	4
RC 6200/50	50	60.4	7	4
RC 6212/53	53	63.4	7	4
RC 6225/57	57	67.4	7	4
RC 6237/60	60	70.4	7	4
RC 6250/63	63	73.4	7	4
RC 6262/66	66	76.4	7	4
RC 6275/70	70	80.4	7	4
RC 6287/73	73	83.4	7	4
RC 6300/75	75	85.4	7	4
RC 6312/80	80	90.4	7	4
RC 6325/82	82	92.4	7	4
RC 6337/85	85	95.4	7	4
RC 6350/90	90	100.4	7	4
RC 6362/92	92	102.4	7	4
RC 6375/95	95	105.4	7	4
RC 6387/98	98	108.4	7	4
RC 6400/100	100	110.4	7	4
RC 6412/104	104	114.4	7	4
RC 6425/107	107	117.4	7	4

RC 6437/111	111	121.4	7	4
RC 8450/114	114	127.7	9.5	5
RC 8462/117	117	130.7	9.5	5
RC 8475/120	120	133.7	9.5	5
RC 8487/123	123	136.7	9.5	5
RC 8500/126	126	139.7	9.5	5
RC 8512/130	130	143.7	9.5	5
RC 8525/133	133	146.7	9.5	5
RC 8537/136	136	149.7	9.5	5
RC 8550/139	139	152.7	9.5	5
RC 8562/142	142	155.7	9.5	5
RC 8575/145	145	158.7	9.5	5
RC 8587/149	149	162.7	9.5	5
RC 8600/152	152	165.7	9.5	5
RC 8625/158	158	171.7	9.5	5
RC 8650/165	165	178.7	9.5	5
RC 8675/170	170	183.7	9.5	5
RC 8700/178	178	191.7	9.5	5
RC 8725/184	184	197.7	9.5	5
RC 8750/190	190	203.7	9.5	5
RC 8775/196	196	209.7	9.5	5
RC 8800/203	203	216.7	9.5	5
RC 8825/210	210	223.7	9.5	5
RC 8850/215	215	228.7	9.5	5
RC 8875/222	222	235.7	9.5	5
RC 8900/230	230	243.7	9.5	5
RC 8925/235	235	248.7	9.5	5
RC 8950/240	240	253.7	9.5	5
RC 8975/248	248	261.7	9.5	5
RC 81000/255	255	268.7	9.5	5
RC 81025/260	260	273.7	9.5	5
RC 81050/265	265	278.7	9.5	5
RC 81075/273	273	286.7	9.5	5
RC 81100/280	280	293.7	9.5	5
RC 81125/285	285	298.7	9.5	5
RC 81150/292	292	305.7	9.5	5
RC 81175/300	300	313.7	9.5	5
RC 81200/305	305	318.7	9.5	5
RC 81250/318	318	331.7	9.5	5
RC 81300/330	330	343.7	9.5	5
RC 81350/342	342	355.7	9.5	5
RC 81400/355	355	368.7	9.5	5
RC 81450/370	370	383.7	9.5	5
RC 81500/380	380	393.7	9.5	5
RC 81550/393	393	406.7	9.5	5